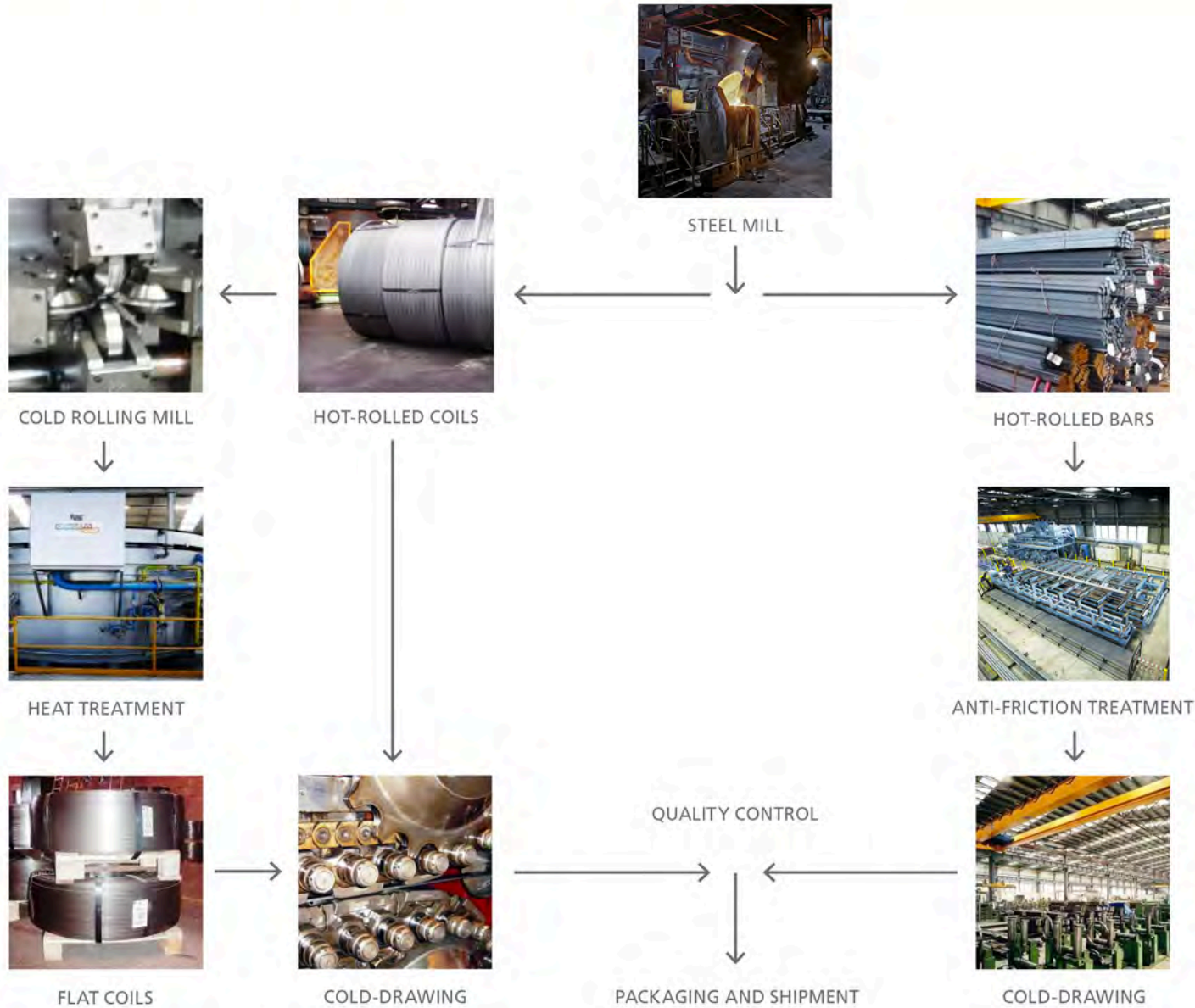
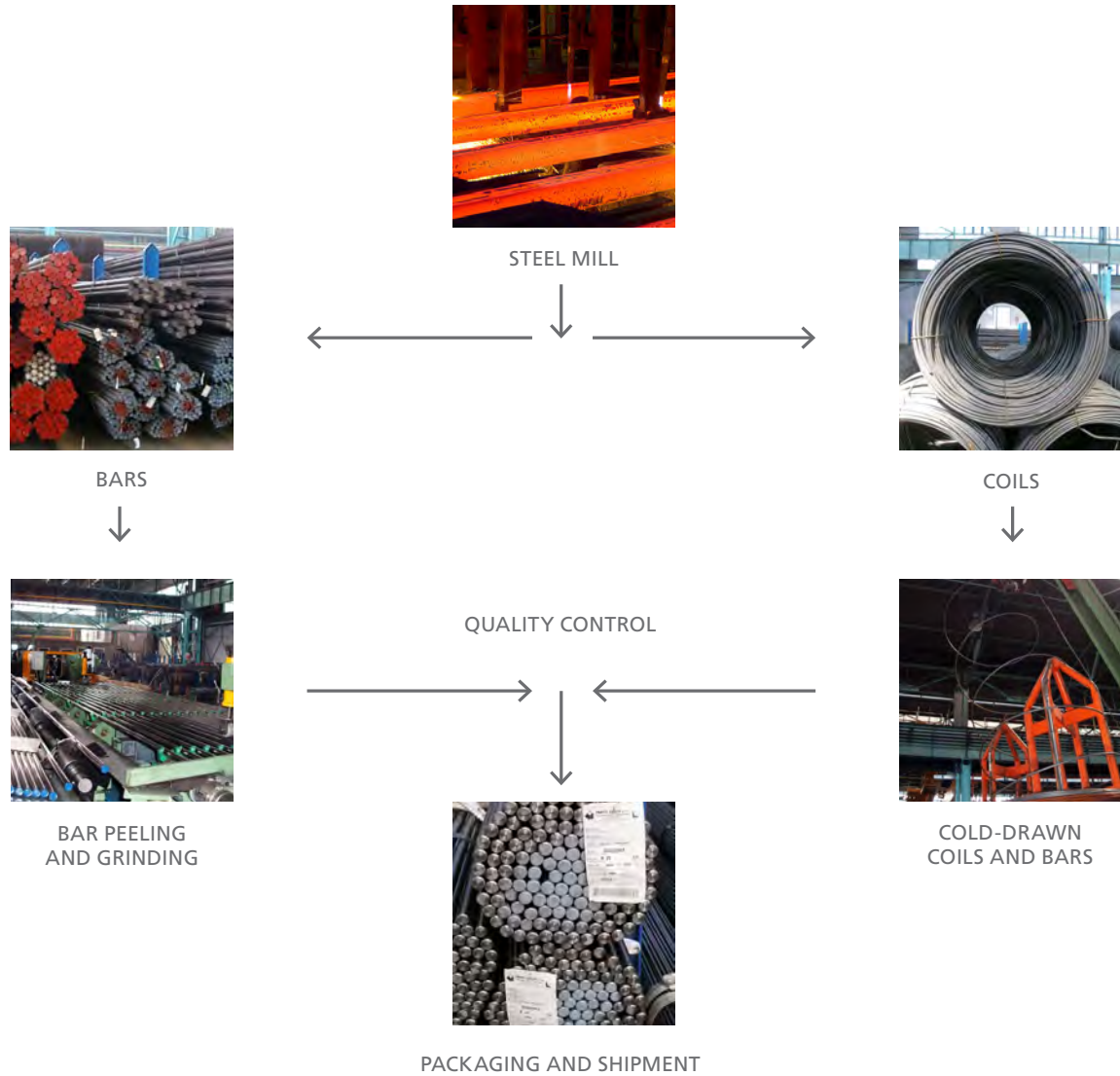


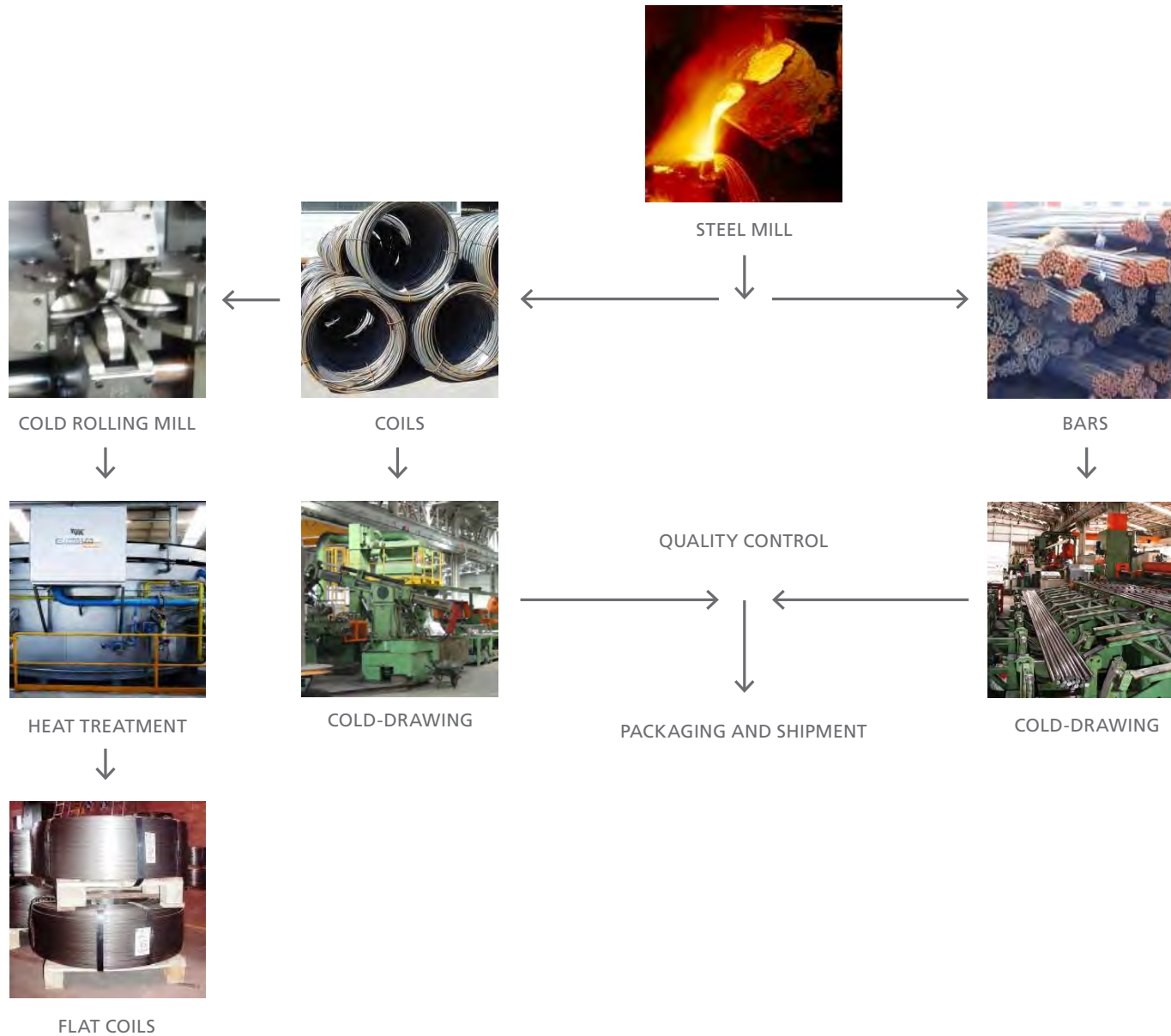
DRAWING FLOWCHART TRAFILIX



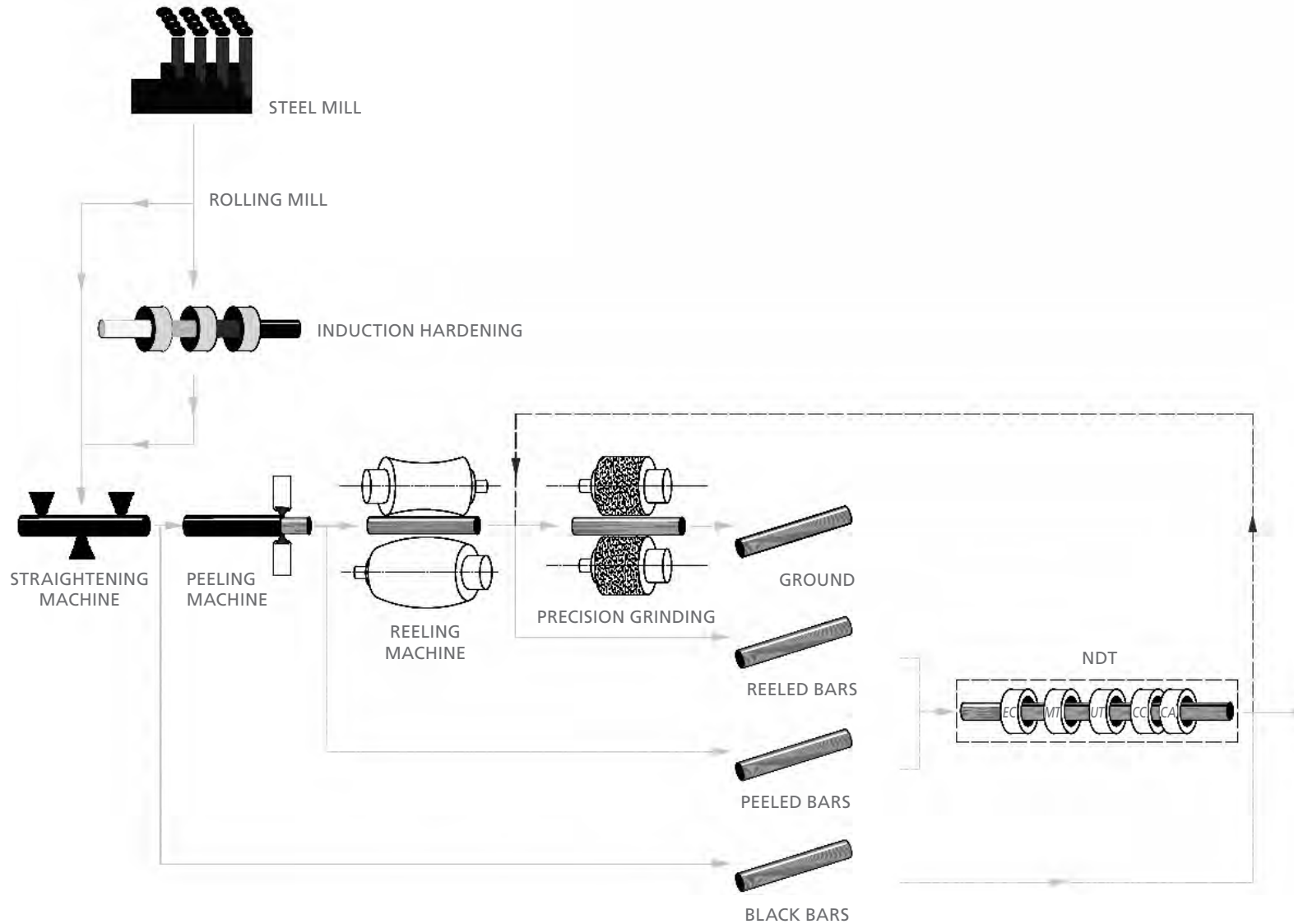
DRAWING FLOWCHART TRAFIL CZECH



DRAWING FLOWCHART TRE VALLI ACCIAI



TRE VALLI ACCIAI PEELED-ROLLED AND GROUND PRODUCT FLOW CHART



NDT
 EC = composition - hardness - structure
 MT = Eddy current
 UT = ultrasonic test
 CC - CA = demagnetization